

ALE

Automatic-Feed Soldering Station Without Solder Wire Perforation

Ref.:

for wire Ø 0.38 - 0.4 mm

- ALE-904A (100 V)
- ALE-104A (120 V)
- ALE-204A (230 V)

for wire Ø 0.45 - 0.56 mm

- ALE-905A (100 V)
- ALE-105A (120 V)
- ALE-205A (230 V)

for wire Ø 0.60 - 0.64 mm

- ALE-906A (100 V)
- ALE-106A (120 V)
- ALE-206A (230 V)

for wire Ø 0.70 - 0.78 mm

- ALE-907A (100 V)
- ALE-107A (120 V)
- ALE-207A (230 V)

for wire Ø 0.80 - 0.82 mm

- ALE-908A (100 V)
- ALE-108A (120 V)
- ALE-208A (230 V)

for wire Ø 0.90 - 1.10 mm

- ALE-910A (100V)
- ALE-110A (120V)
- ALE-210A (230V)

for wire Ø 1.14 - 1.27 mm

- ALE-912A (100 V)
- ALE-112A (120 V)
- ALE-212A (230 V)

for wire Ø 1.50 - 1.57 mm

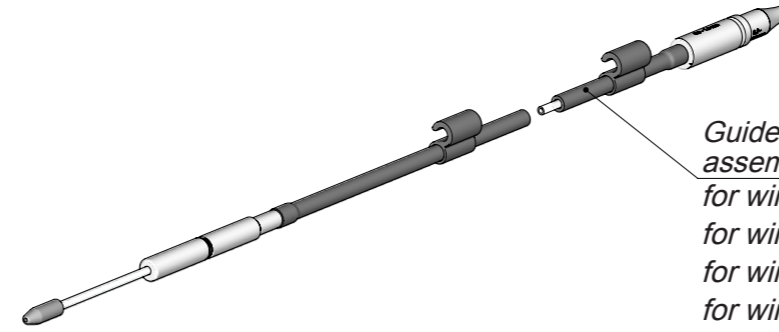
- ALE-915A (100 V)
- ALE-115A (120 V)
- ALE-215A (230 V)

for wire Ø 1.60 - 1.63 mm

- ALE-916A (100 V)
- ALE-116A (120 V)
- ALE-216A (230 V)

for wire Ø 1.80 mm

- ALE-918A (100 V)
- ALE-118A (120 V)
- ALE-218A (230 V)



Guide Wheels and Components already assembled in ALE Control Unit

for wire Ø 0.38 - 0.40 mm - Ref. GALE04D-B

for wire Ø 0.45 - 0.56 mm - Ref. GALE05D-B

for wire Ø 0.60 - 0.64 mm - Ref. GALE06D-B

for wire Ø 0.70 - 0.78 mm - Ref. GALE07D-B

for wire Ø 0.80 - 0.82 mm - Ref. GALE08D-B

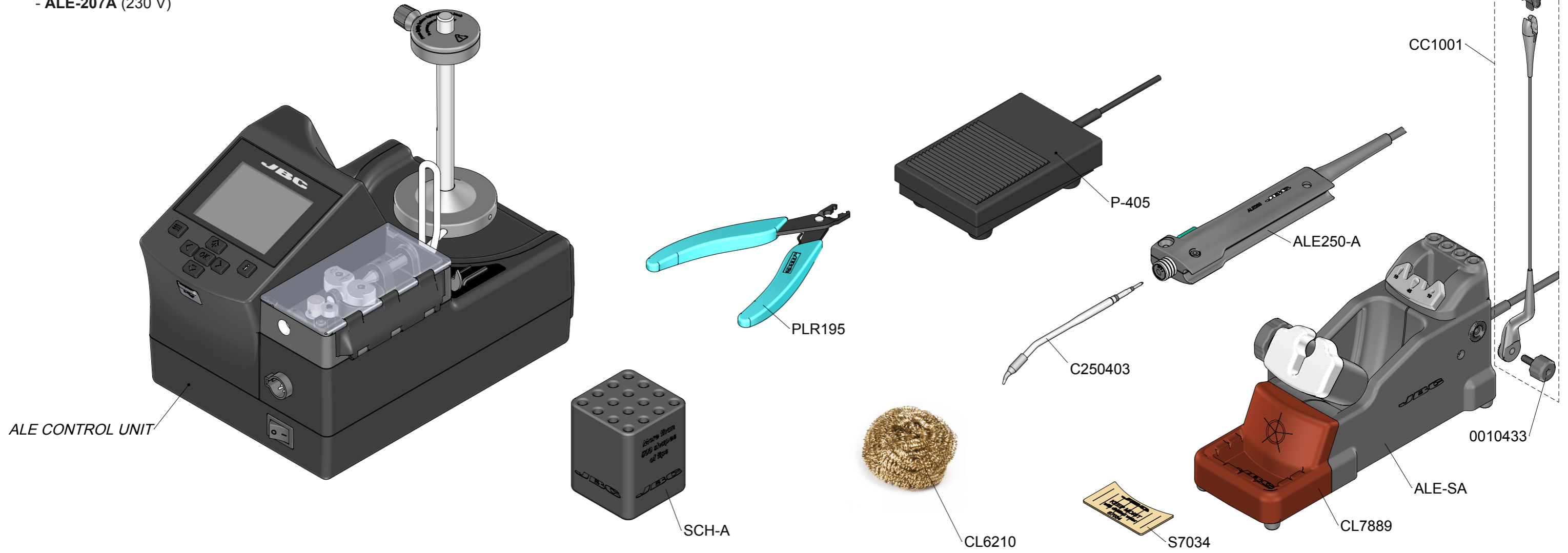
for wire Ø 0.90 - 1.10 mm - Ref. GALE10D-B

for wire Ø 1.14 - 1.27 mm - Ref. GALE12D-B

for wire Ø 1.50 - 1.57 mm - Ref. GALE15D-B

for wire Ø 1.60 - 1.63 mm - Ref. GALE16D-B

for wire Ø 1.80 mm - Ref. GALE18D-B



ALE CONTROL UNIT

PLR195

P-405

ALE250-A

C250403

SCH-A

CL6210

S7034

CL7889

ALE-SA

0010433

0024028

CC1001