

DDCT

DDE Solder Pot Station

Ref.: **DDCT-9A** 100V

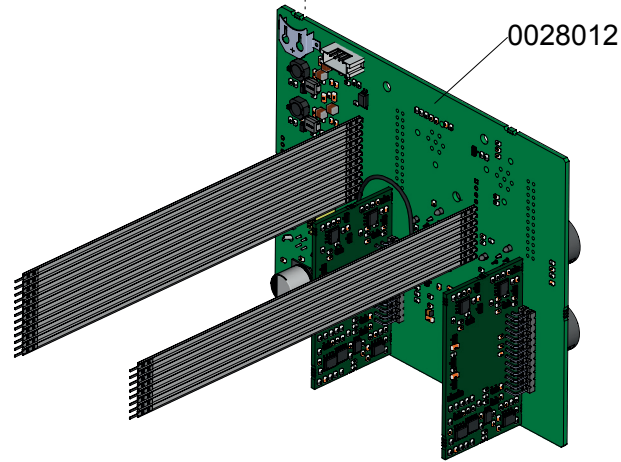
DDCT-1A 120V

DDCT-2A 230V

DDE CONTROL UNIT

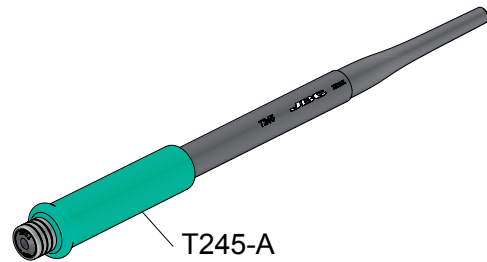
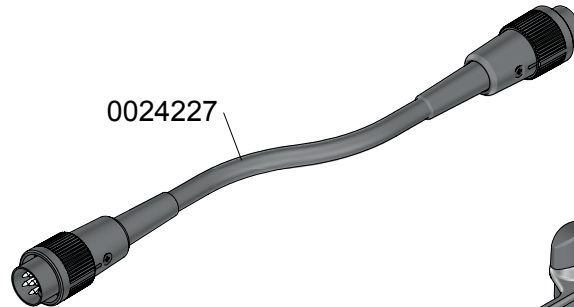


0013489
BATTERY
CR1220

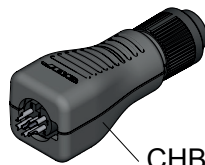


0028012

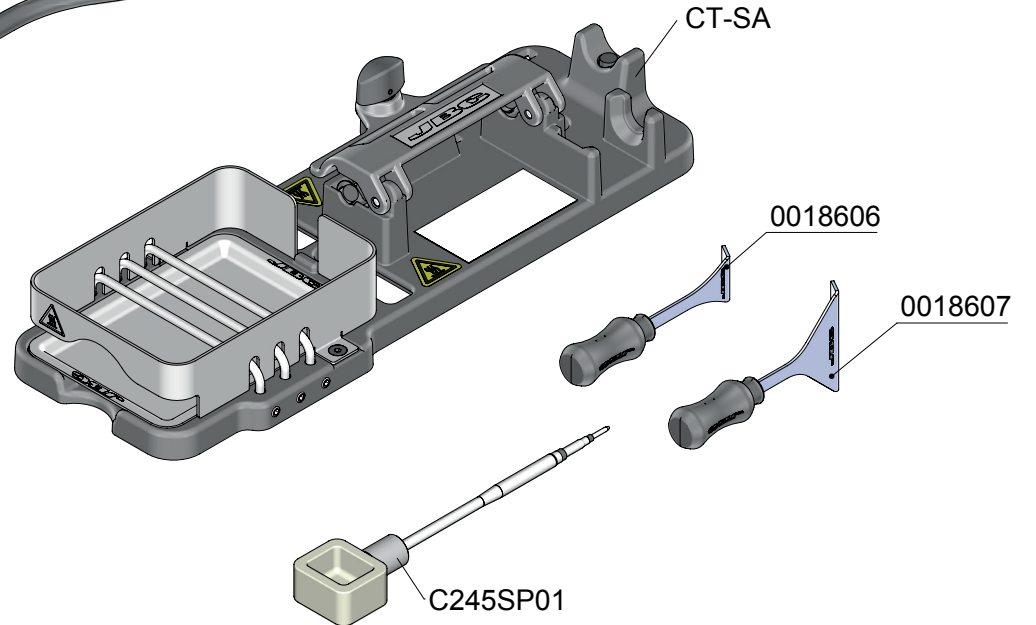
0024227



T245-A



CHB



CT-SA

0018606

0018607

C245SP01

SPARE PARTS

CT-SA:

- LIFTERS	0029883
- ALLEN KEY Ø2MM	0916030
- TRAY	0016749
- KNOB	0015841
- PROTECTIVE SCREEN	0030739

SPARE PARTS

DDE CONTROL UNIT:

-REAR CIRCUIT	0028012
-ENCLOSURE	
· TOP	0019028
· BOTTOM	0014567
· FRONT+DISPLAY	0031187
· BACK	0021064

Ref.: **DDE-9C** 100V FUSE T-5A
DDE-1C 120V FUSE T-4A
DDE-2C 230V FUSE T-2A