

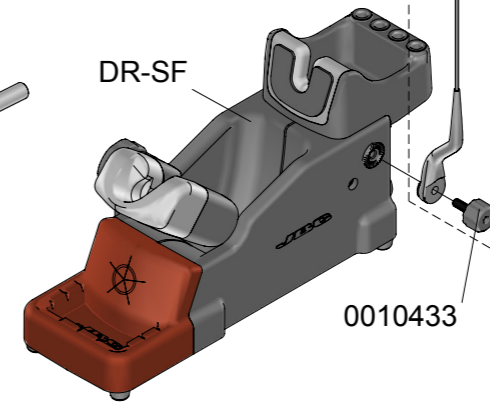
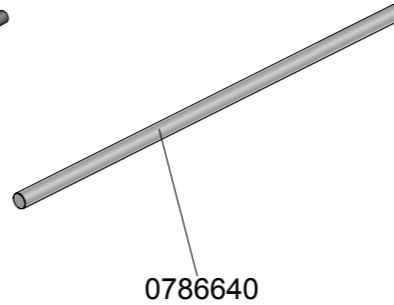
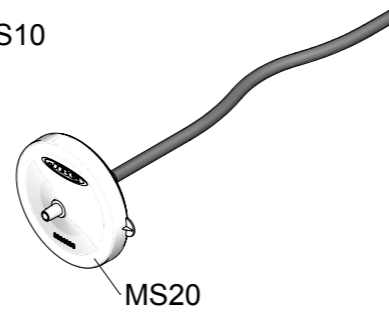
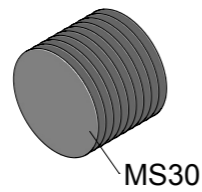
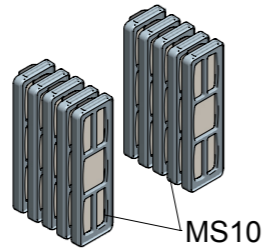
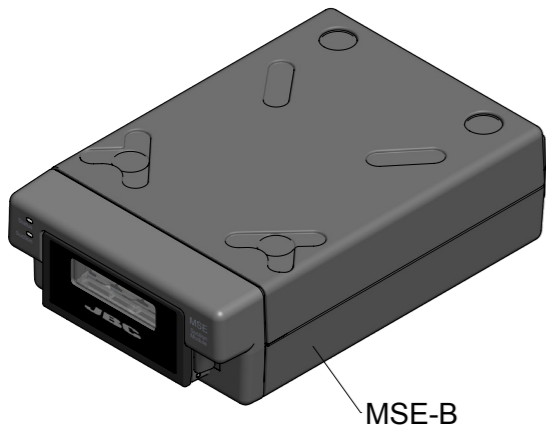
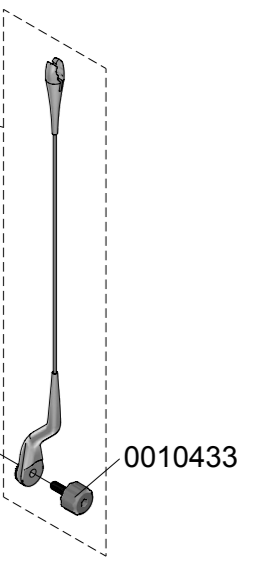
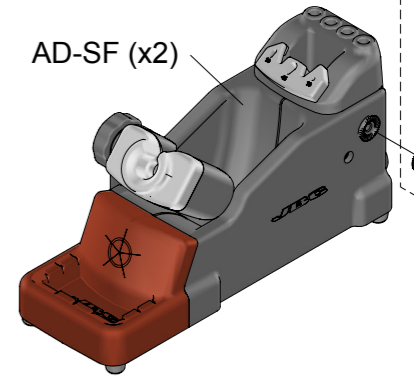
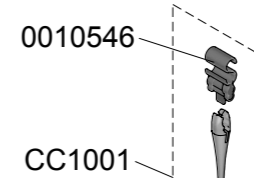
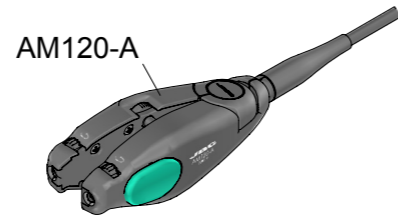
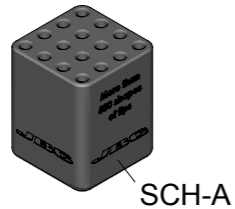
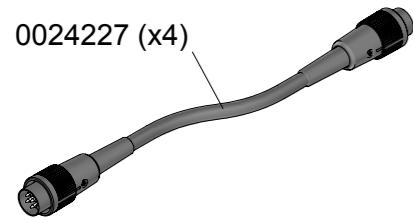
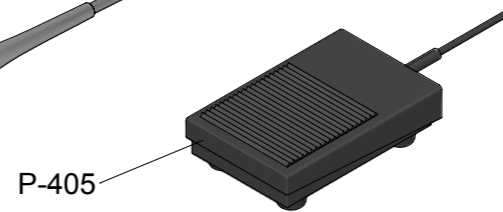
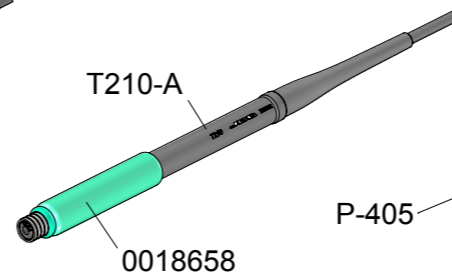
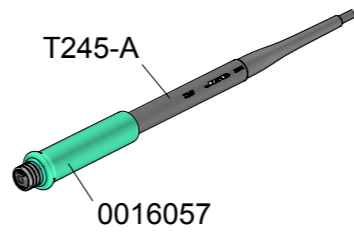
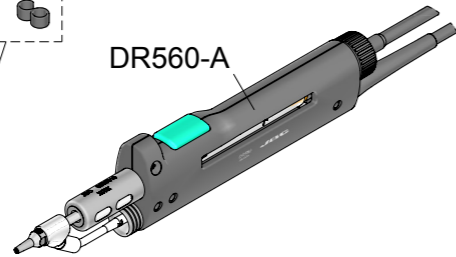
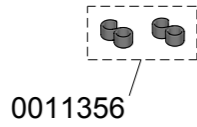
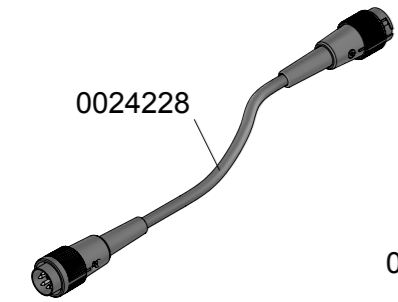
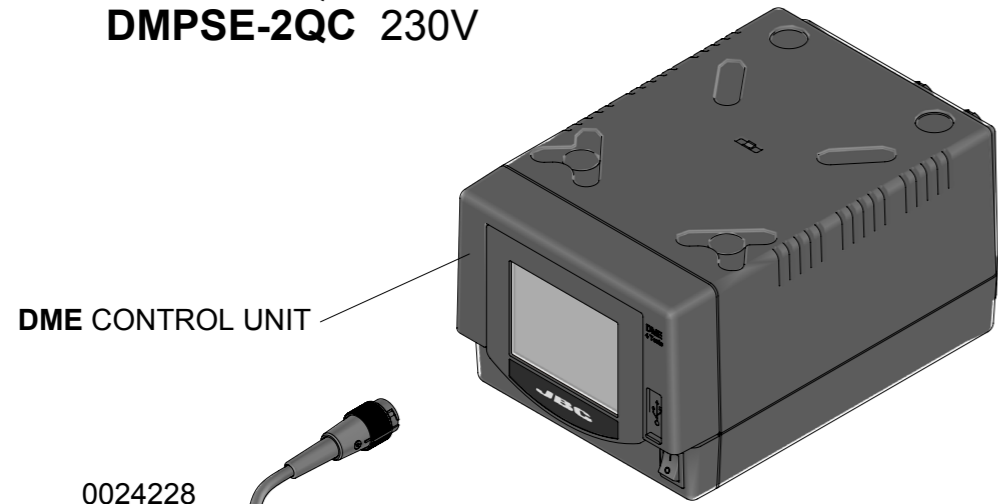
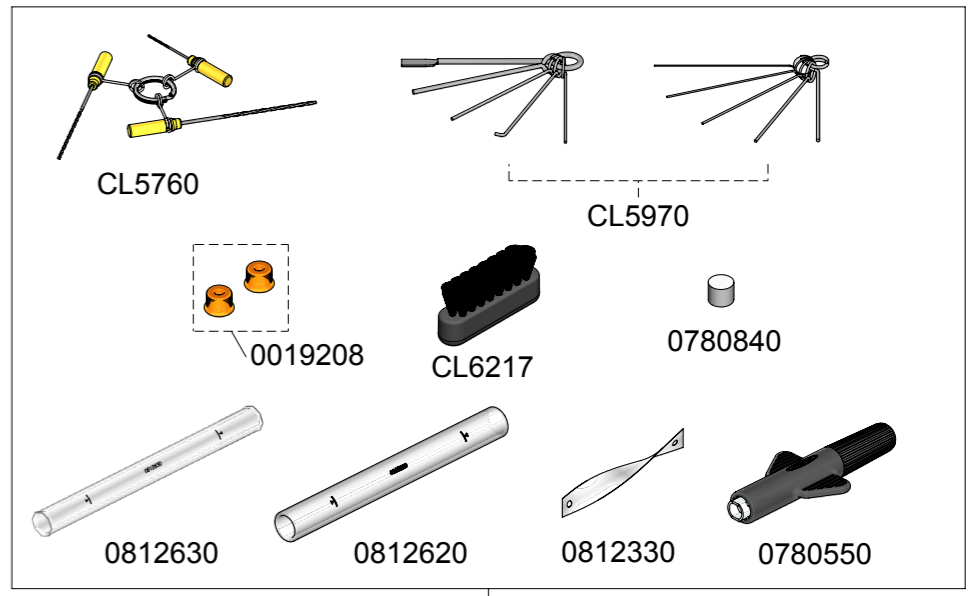
# DMPSE

4 Tools Precision Station with Electric Pump

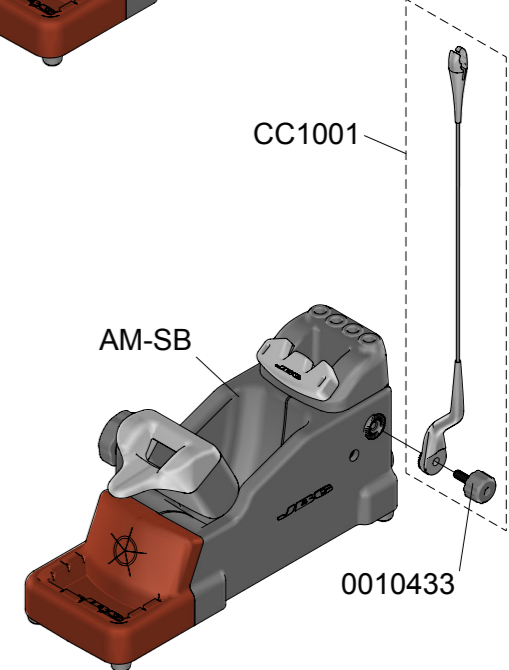
- Ref.: **DMPSE-9QC** 100V  
**DMPSE-1QC** 120V  
**DMPSE-2QC** 230V

SPARE PARTS	
<b>DME CONTROL UNIT:</b>	
-CIRCUIT	0030802
-ENCLOSURE	
· TOP	0019028
· BOTTOM	0014567
· FRONT+DISPLAY	0029287
· BACK	0031514
<b>MSE-B:</b>	
- CIRCUIT	0033215
- ENCLOSURE	
· TOP	0032092
· BOTTOM	0032089
· FRONT	0032096
· BACK	0032091
- PUMP	0031985
- AC ADAPTER	0028084

Ref.: **DMPSE-9QC** 100V FUSE T-8A  
**DMPSE-1QC** 120V FUSE T-3,5A  
**DMPSE-2QC** 230V FUSE T-3,15A



0010433



0010433