

# **JBC**

[www.jbctools.com](http://www.jbctools.com)

## **INSTRUCTION MANUAL**



### **FAE050**

Fume Aspiration Duct for  
Modular Stands

This manual corresponds to the following reference:

FAE050

## Packing List

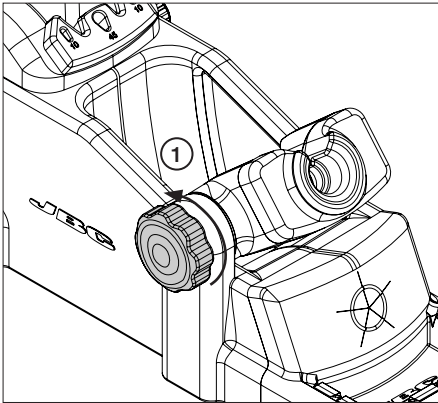
The following items are included:



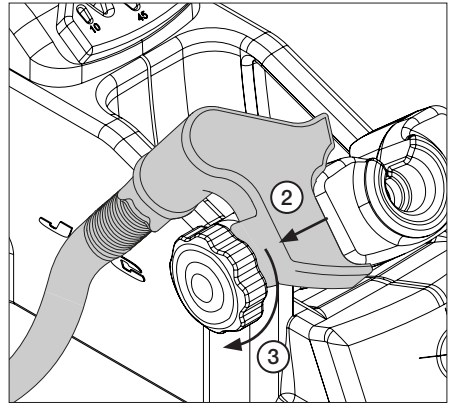
Fume Aspiration Duct  
for Modular Stands ..... 1 unit  
Ref. FAE050

Manual ..... 1 unit  
Ref. 0019112

## Connection



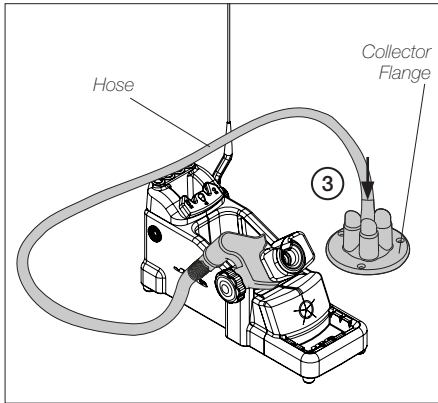
Turn the knob counterclockwise (1) until it loosens.



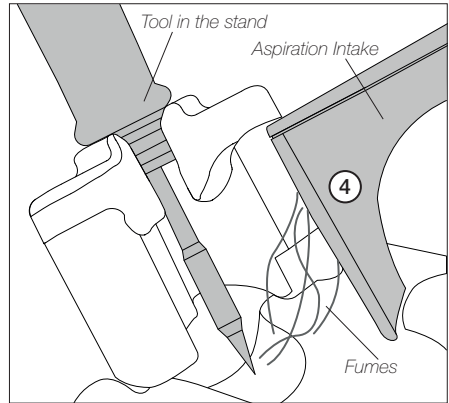
Insert the fume aspiration duct between the knob and the tool holder (2).

To fix the aspiration duct in place tighten the knob (3)

## Connection - continuation



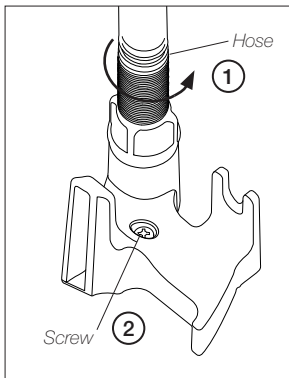
Connect the hose of the fume aspiration duct to the collector flange FAE030 or FAE040 (3). The flanges must be connected to the fume extractor.



The system detects when the tool is returned to the stand and the fume will be automatically absorbed via the aspiration intake (4).

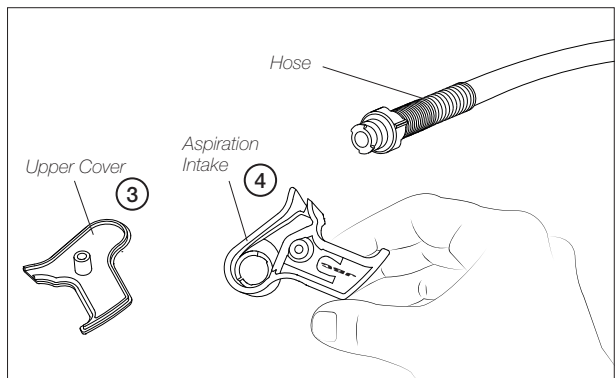
## Maintenance

Before carrying out maintenance, always allow the tool to cool down.



First remove the hose by twisting it (1). Shake the hose to get rid of the dirt inside.

Then remove the screw (2).



Dismantle the upper cover (3).

Clean the inside of the aspiration intake (4), if necessary with a cleaning stick.

Assemble all of the components in reverse order.

# Specifications

## FAE050

### Fume Aspiration Duct for Modular Stands

Ref.: FAE050

- Duct Length: 107 cm / 42.13 in
- Total Net Weight: 170 g / 0.375 lb
  
- Total Package Dimensions / Weight: 300 x 130 x 65 mm / 265 g  
(L x W x H) 11.81 x 5.12 x 2.56 in / 0.584 lb

Complies with CE standards.  
ESD safe.

# JBC

## Warranty

JBC's 2 year warranty covers this equipment against all manufacturing defects, including the replacement of defective parts and labor.

Warranty does not cover product wear or misuse.

In order for the warranty to be valid, equipment must be returned, postage paid, to the dealer where it was purchased.



This product should not be thrown in the garbage.

In accordance with the European directive 2012/19/EU, electronic equipment at the end of its life must be collected and returned to an authorized recycling facility.



[www.jbctools.com](http://www.jbctools.com)