



RBSM

Multiaxis Rework Bench for PCBs
up to 13 x 13 cm / 5 x 5 in

This Plug & Play Guide corresponds to the following references:

Ref.

RBSM-9A (100 V)
RBSM-1A (120 V)
RBSM-2A (230 V)

More Information on the
product webpage



Packing List

The following items are included according to purchased station reference:



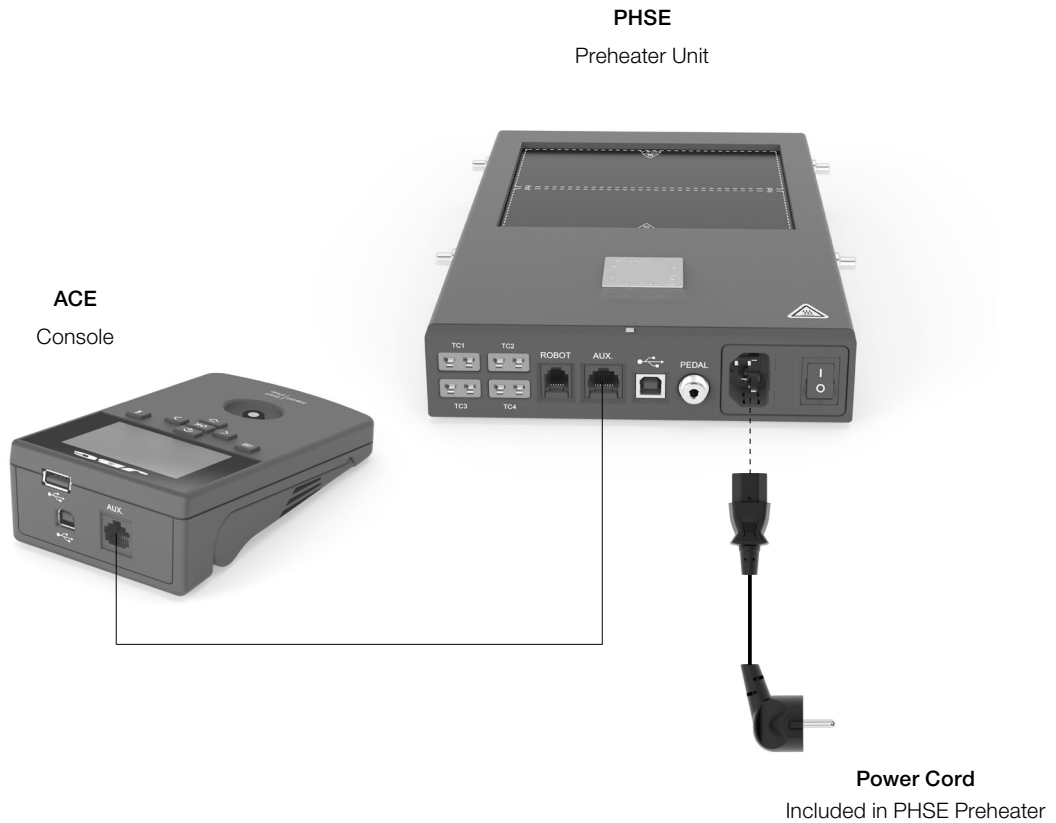
Preheater Set
for PCBs up to 13 x 13 cm / 5 x 5 in 1 unit
 Ref. PHSE-9B (100 V)
 Ref. PHSE-1B (120 V)
 Ref. PHSE-2B (230 V)

Articulated Hand Rest
for PHSEK Preheater Set 1 unit
 Ref. RHS-A

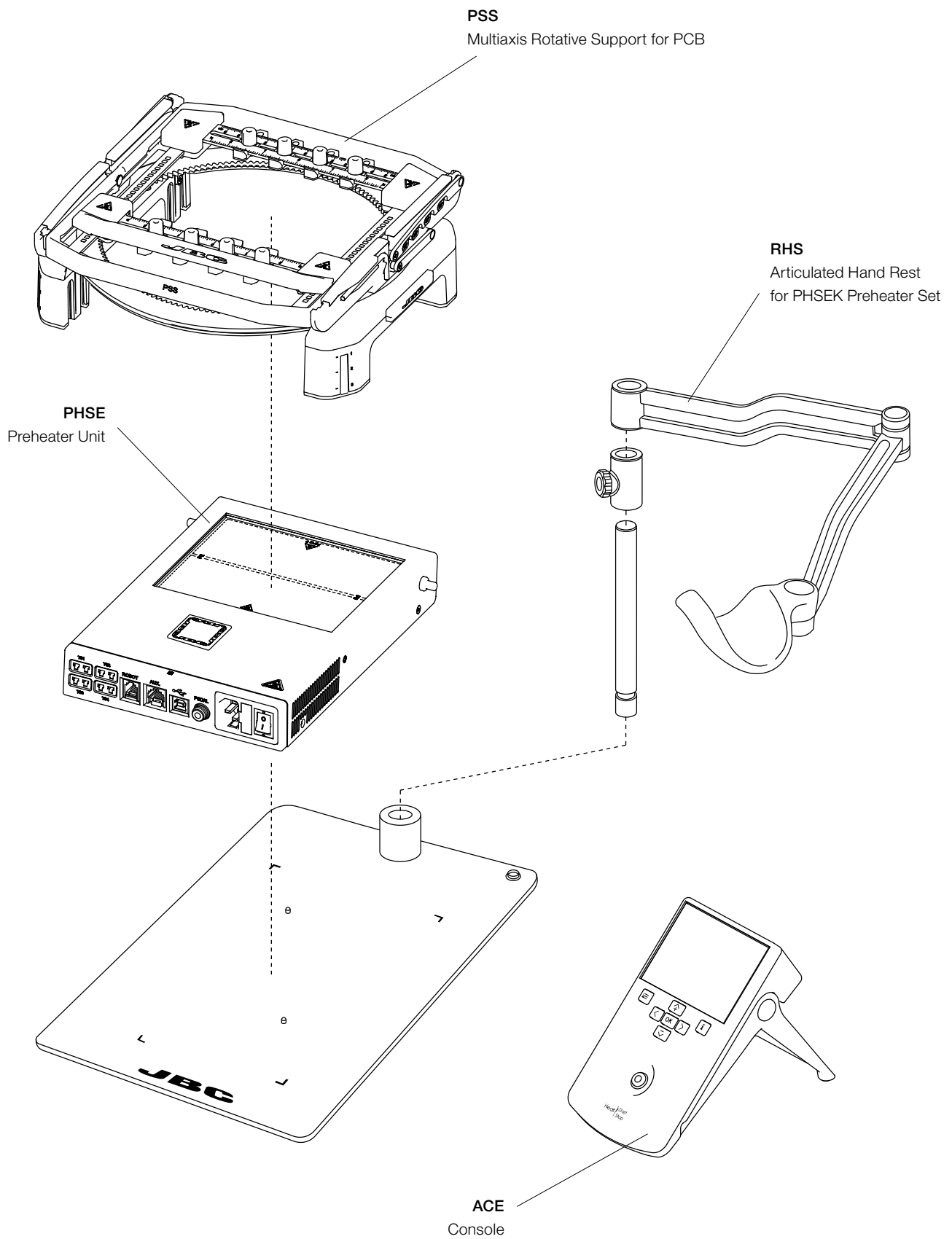


Multiaxis Rotative Support
for PCBs up to 13 x 13 cm / 5 x 5 in 1 unit
 Ref. PSS-A

Installation



Exploded View



Specifications

RBSM

Multiaxis Rework Bench for PCBs up to 13 x 13 cm / 5 x 5 in

Ref. **RBSM-9A**

Ref. **RBSM-1A**

Ref. **RBSM-2A**

- Package Dimensions / Weight: 620 x 385 x 395 mm / 15.50 kg
(L x H x W) 24.41 x 15.16 x 15.55 in / 34.17 lb

Complies with CE standards.

ESD safe.

JBC

Warranty

Information regarding the warranty of each product can be found on the final page of its instruction manual.



This product should not be thrown in the garbage.

In accordance with the European directive 2012/19/EU, electronic equipment at the end of its life must be collected and returned to an authorized recycling facility.