



RBB

Rework Bench for PCBs
up to 36 x 28 cm / 14 x 11 in

This Plug & Play Guide corresponds to the following references:

Ref.

RBB-9A (100 V)

RBB-1A (120 V)

RBB-2A (230 V)

Station

More Information at the
product web page



Packing List

The following items are included according to purchased station reference:

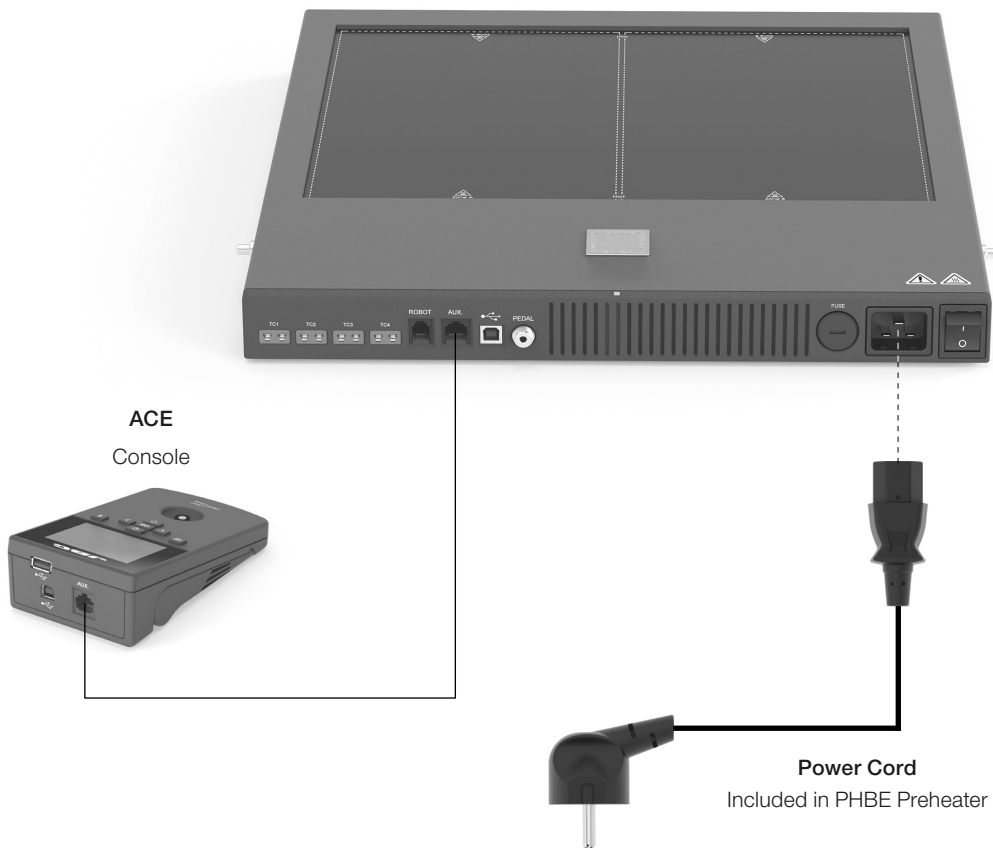


Preheater Set
for PCBs up to 36 x 28 cm / 14 x 11" 1 unit
Ref. PHBE-9KB (100 V)
Ref. PHBE-1KB (120 V)
Ref. PHBE-2KB (230 V)

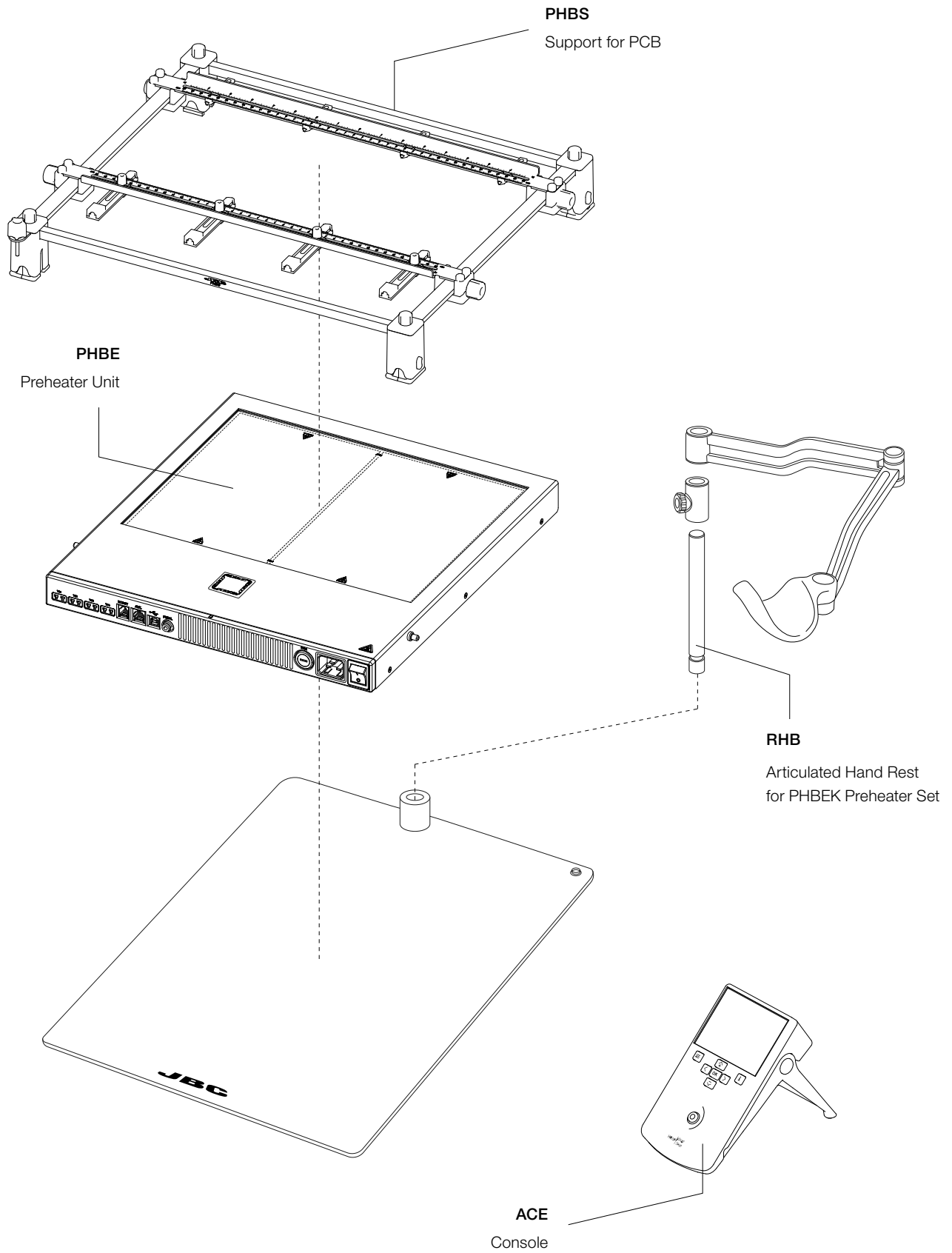
Articulated Hand Rest
for PHBEK Preheater Set 1 unit
Ref. RHB-A

Installation

PHBE
Preheater Unit



Exploded View



Specifications

RBB

Rework Bench for PCBs up to 36 x 28 cm / 14 x 11 in

Ref. **RBB-9A**

Ref. **RBB-1A**

Ref. **RBB-2A**

- Package Dimensions / Weight: 685 x 610 x 525 mm / 31.31 kg
(L x H x W) 26.97 x 24.02 x 20.67 in / 69.03 lb

Complies with CE standards.
ESD safe.

JBC

Warranty

Information regarding the warranty of each product can be found on the final page of its instruction manual.



This product should not be thrown in the garbage.
In accordance with the European directive 2012/19/EU, electronic equipment at the end of its life must be collected and returned to an authorized recycling facility.